

Northeast Texas Children's Museum

presents

WEIRD SCIENCE

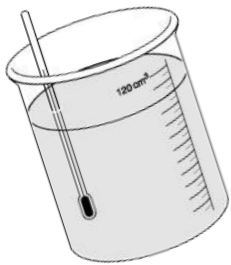
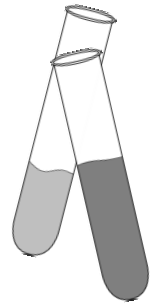
February 2018

Give fifth grade students a fun, hands-on science experience!

Students rotate through 3 labs set up in the museum:

Measuring Liquid Volume

Students use graduated cylinders and test tubes to measure liquid volume in "Crazy Creature Blood".



Temperature

Students examine temperature change using thermometers in "Icy Hot Swamp".

Plasticity

Students explore plasticity using triple beam balances to create "Earth Ooze".

.....

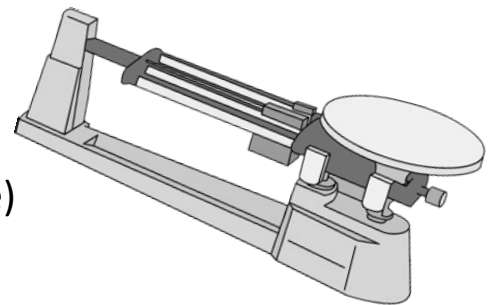
Price:

\$6 per student
(Additional \$20 for lunch space)

Time:

9:30 - 11:30 AM

(No classes available on Mondays or Wednesdays)



For more information contact:

Sharline Freeman, Executive Director
director@netxcm.com
(903) 886-6055